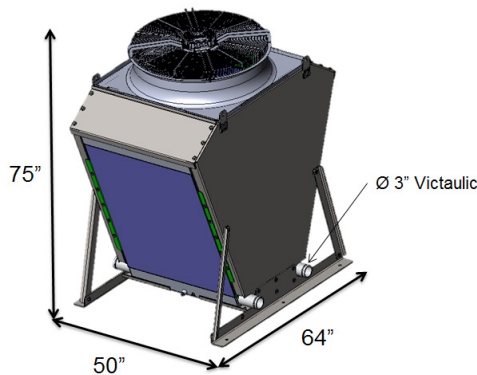


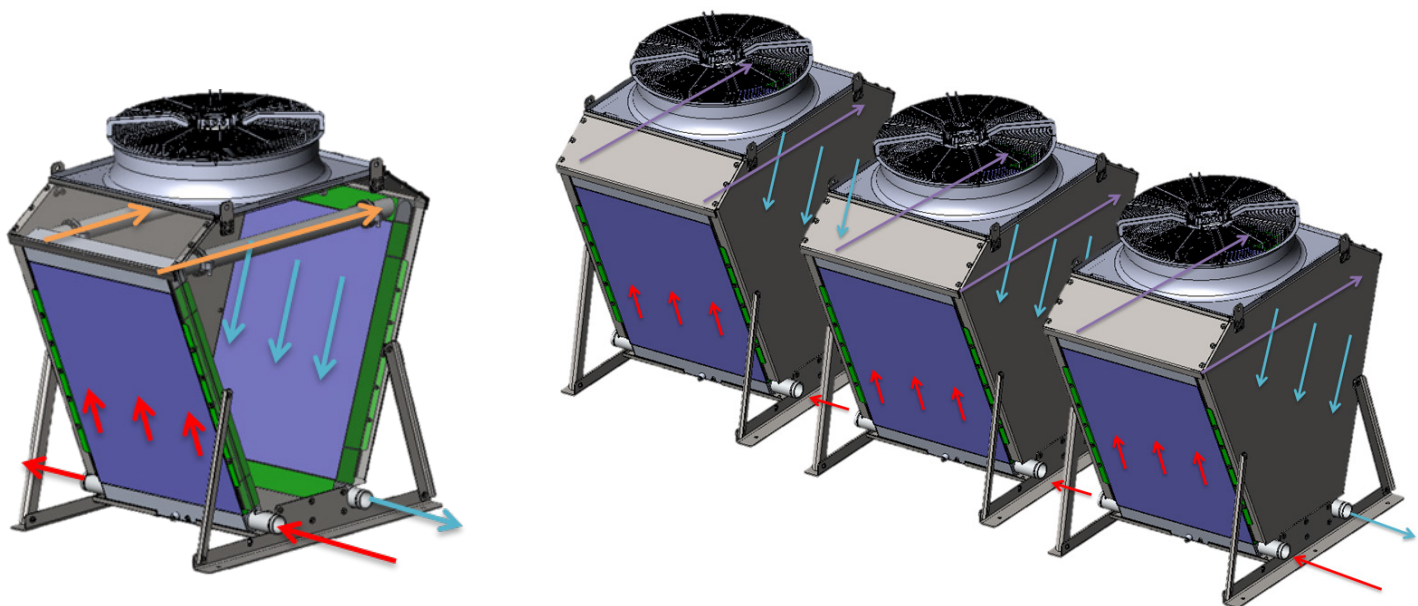
AELQ

- Modular Cooling System
- Blocks 6ft X 4ft (long) X 5ft (wide)
 - 300kW per block on jacket water loop
 - 140kW per block on a aftercooler/low temp circuit/auxiliary loop
- Blocks can be plumbed together in any configuration using 3in Victaulic connections, for additional cooling capacity, add another block to the chain



- Easily replaceable coolers
- EC fan
- Noise Level
 - 69 dB 10 ft.
 - 61 dB @25 ft.
- Controlled by MODBUS, 4-20 mA signal, or 0-10 V
- Fan speed can be controlled by engine ECU or system PLC
- Lightweight modular system does not require special rigging or high capacity crane

COOLER FLOW



PERFORMANCE CURVES

